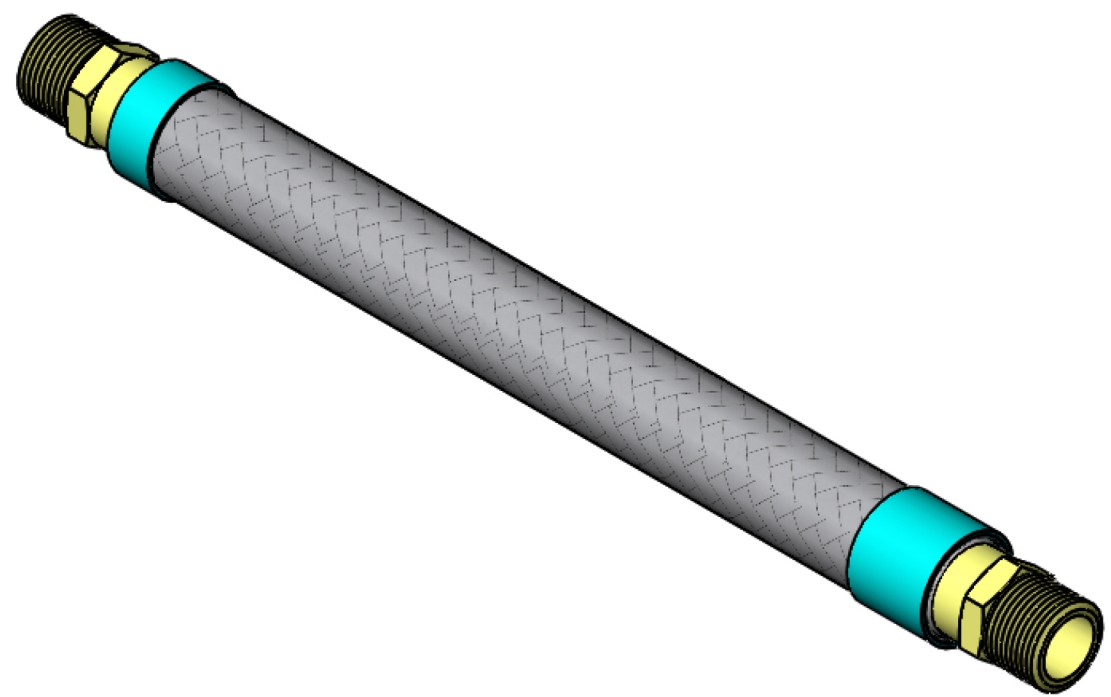
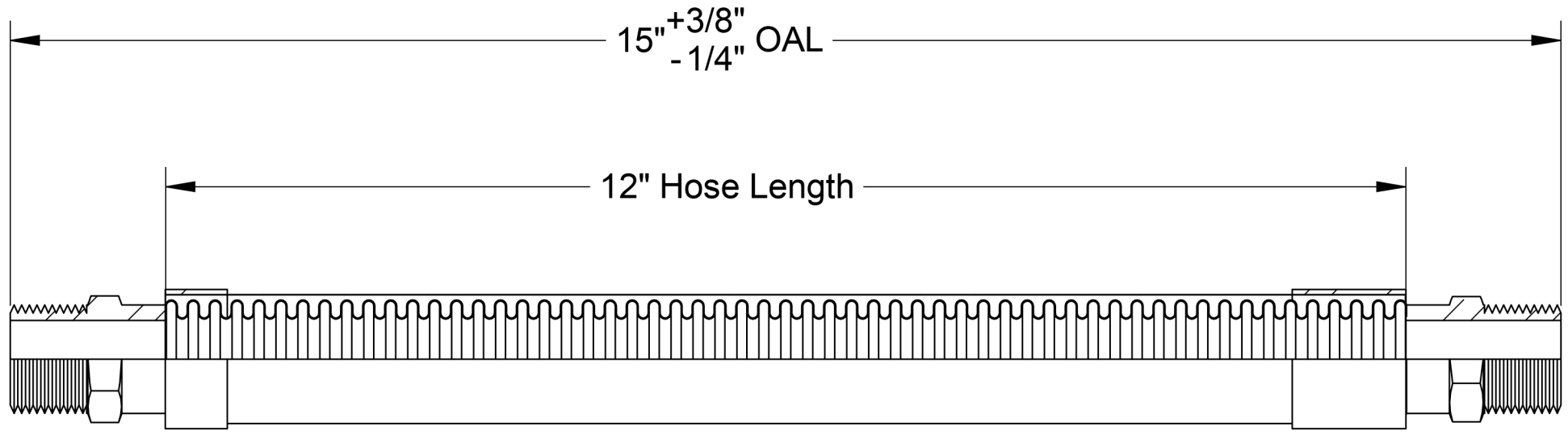


8 7 6 5 4 3 2 1

REVISIONS			
REV.	DESCRIPTION	DATE	APPROVED



ITEM #	QTY.	PART NUMBER	DESCRIPTION	MATERIAL	WEIGHT
1	1	HOSE	300 Series Stainless HYDROFORMED Corrugated Hose	Stainless Steel	0.23
2	1	BRAID	300 Series Stainless Steel	Stainless Steel	0.03
3	1	BRAID COLLAR	0.05" Thick	Stainless Steel	0.03
4	1	COLLAR 2	0.05" Thick	Stainless Steel	0.06
5	2	0.75" MALE	0.75" Male, 3/4"x14" Thread, 1.06" Hex	Stainless Steel	0.16



HOSE MASTER Inc.

1233 East 222nd Street • Cleveland, Ohio 44117
 (800) 221-2319 • Fax: (216) 481-7557 • www.hosemaster.com
 Locations: **Cleveland • Houston**

Registered to:
ISO 9001 : 2000



Projection:	Customer: Hose Master Inc.	Prepared By: kannk	
	Reference: Fire-Shield - 0.75" Male x 0.75" Male x 15" OAL	CALC. WEIGHT: 1 lbs.	Date: 9/24/2009
	Description: 0.75" ID x 15" OAL 300 Series Stainless HYDROFORMED Corrugated Hose covered by 300 Series Stainless Braid. UL Approved 0.75" Male Connectors		
	Drawing #:	FSMM0075x15	Rev.: - SHEET 1 OF 1



8 7 6 5 4 3 2 1